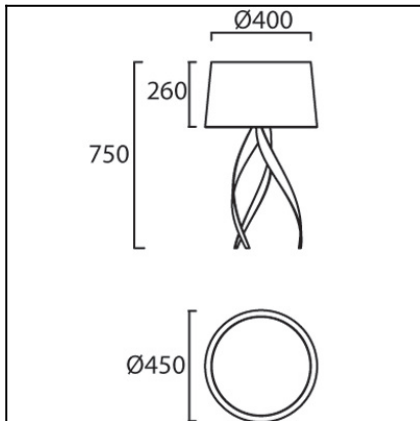


Design by Ramon Valls



The photograph may not match the reference exactly. Please read the product description to identify the finish.



TECHNICAL CHARACTERISTICS

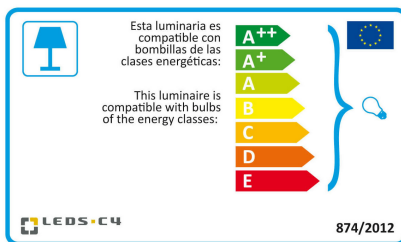
Type:	Table lamp
IP Protection degrees:	IP20
Light source 1:	1 x E27 18W Maximum lamp length: 140.00 mm
Total power consumption (W):	18
Voltage / Frequency:	220-240V/50-60Hz
Warranty (Years):	2
Units per box:	1
Net Weight (Kg):	1.59



MATERIALS / FINISHES

Structure material:	Aluminium	Diffuser material:	Fabric shade Methacrylate
Structure finish:	Matt white	Diffuser finish:	Grey Matt

Download photometric file .ldt /.ies

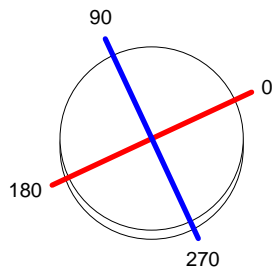


Click on image to download energy label

Luminaire		Measur.		Lamp	
Code	10-1824-BW-T002	Code	10-1824-BW-T002	Code	DLX EL FCY 18W827E27
Name	Sobremesa MEDUSA 18W tela T002	Name	Sobremesa MEDUSA 18W tela T002	Number	1
Line	- LEDS-C4	Date	09-07-2013	Position	Universal
Efficiency	58.98%	Coordinate system	CG	Total Flux	1100.00 lm
Maximum value	147.55 cd	Position	C=0.00 G=35.00	Double Symmetrical	
Round Luminaire	Diam.	450 mm	Height	260 mm	
Round Luminous Area	Diam.	450 mm	Height	260 mm	
Horizontal Luminous Area	0.159043 m2		Emitting area on Plane 180°	0.117000 m2	
Emitting area on Plane 0°	0.117000 m2		Emitting area on Plane 270°	0.117000 m2	
Emitting area on Plane 90°	0.117000 m2		Glare area at 76°	0.152001 m2	
Symmetry Type	Double Symmetrical		Maximum Gamma Angle	180	
Measurement Distance	6.44		Measurement Flux	917.00 lm	
Operator	Asselum T2		Source voltage	230.00 V	
Temperature	25.00 °C		Source current	PRC	
Humidity	50.00 %		Photocell		
Notes					

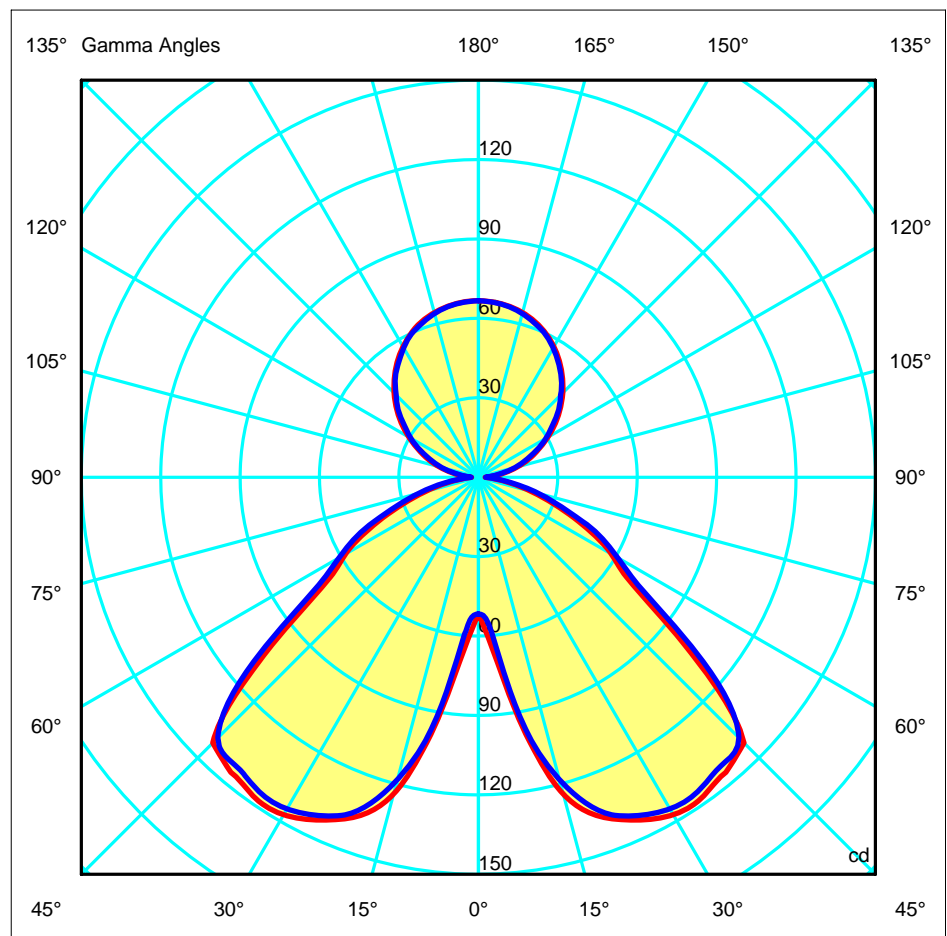
Luminaire Lamps					
Line	Code	Name	Flux [lm]	Pow. [W]	Q.ty
OSRAM 2006 FB,T,G,C,FS,Q,M,D	DLX EL FCY 18W827E27	DULUX® EL FACILITY 18W/827 E27	1100.00	18.00	1
C.I.E.	46 82 96 70 59	D DIN 5040	B31		
F UTE	0.41 F + 0.18 T	B NBN	BZ 5 / 1 / BZ 4		

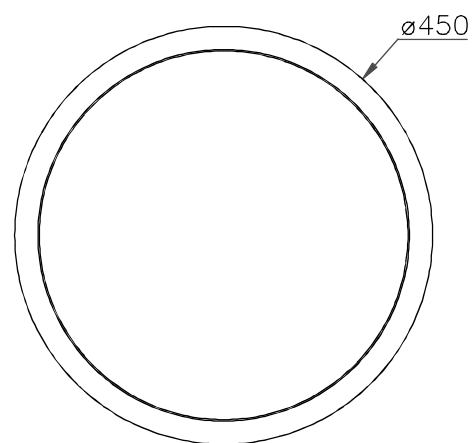
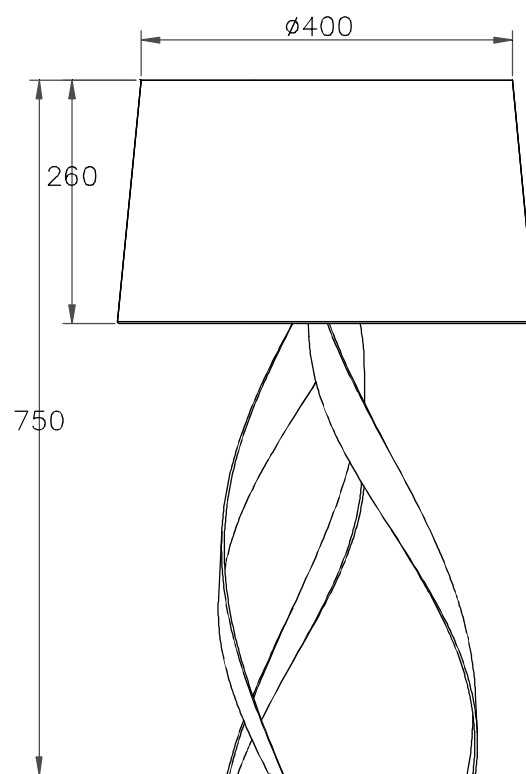
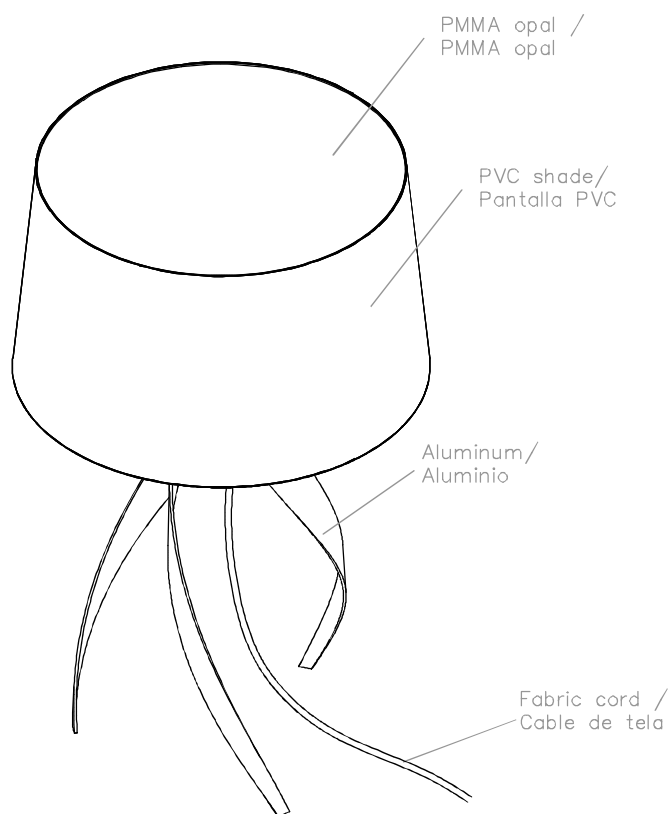
Diam=450mm



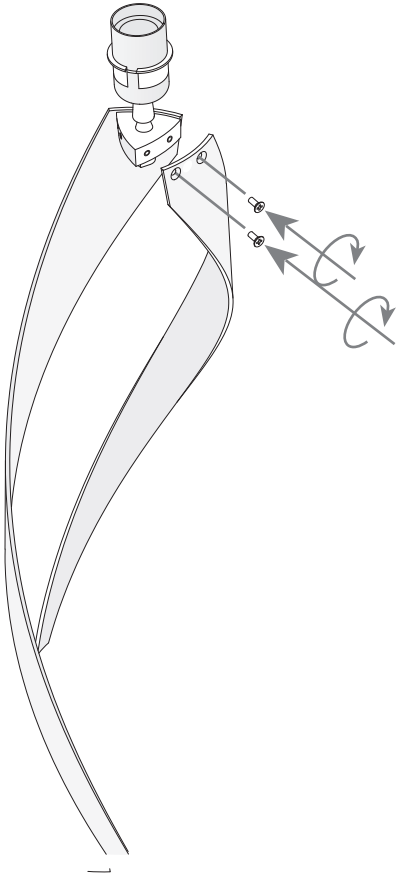
C Halfplanes
 180.0 — 0.0
 270.0 — 90.0

ULOR 17.77 %
 DLOR 41.21 %
 RN 30.13 %

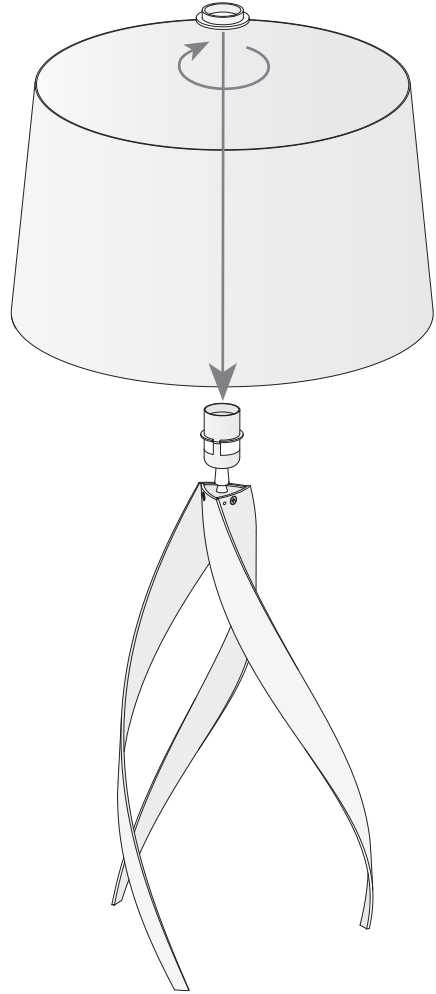




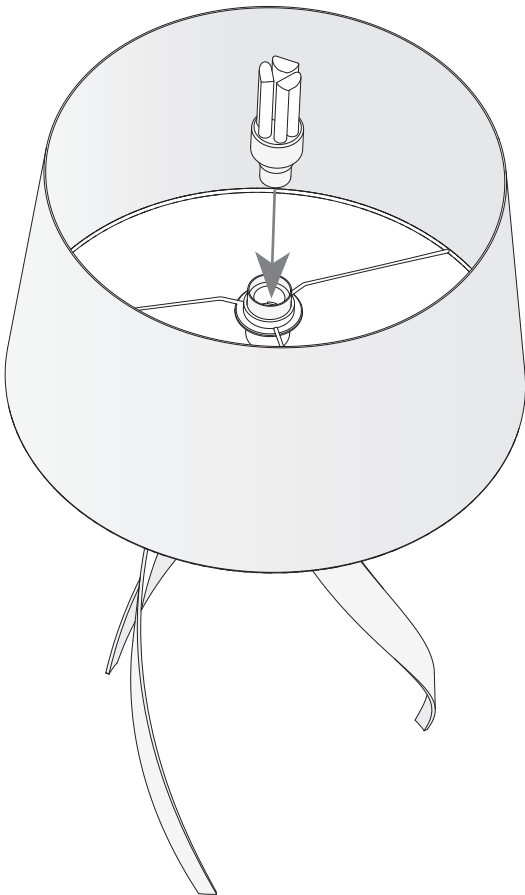
1



2



3



4

