

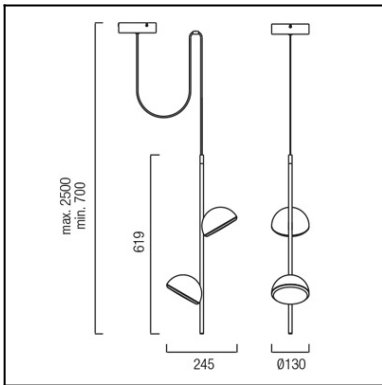
Design by Nathrang Disseny



### TECHNICAL CHARACTERISTICS

Type:	Pendant
Adjustable:	Adjustable 355° on the vertical axis.2
IP Protection degrees:	IP20
Light source 1:	2 x LED Cree 13W Warm White - 2700K 1390 lm <sup>(N)</sup> CRI 80
Total power consumption (W):	14.5W
Voltage / Frequency:	100-240V/50-60Hz
Warranty (Years):	2
Option to extend the guarantee (Years):	5
Units per box:	20
Net Weight (Kg):	1.505
EAN:	8435381450236

The photograph may not match the reference exactly. Please read the product description to identify the finish.



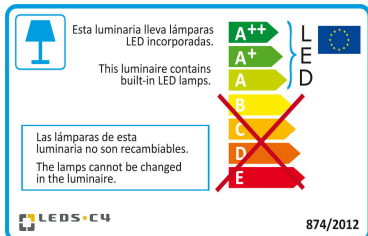
### MATERIALS / FINISHES

<b>Structure material:</b>	Aluminium Steel	<b>Diffuser material:</b>	Glass
<b>Structure finish:</b>	Matt white	<b>Diffuser finish:</b>	Opal

### GEAR

Multi-voltage electronic gear included (100-240V / 50-60Hz)

Download photometric file .ldt / .ies



Click on image to download energy label

Lm<sup>(N)</sup>: Nominal flow of light in actual working conditions. Its actual flow will depend on the environmental conditions and the efficiency of the optics and/or diffuser.

LEDS-C4 reserves the right to make the necessary technical changes they deem adequate, in order to improve the features of the product.

Please consult the sales team to clarify any doubt.

**Luminaire**

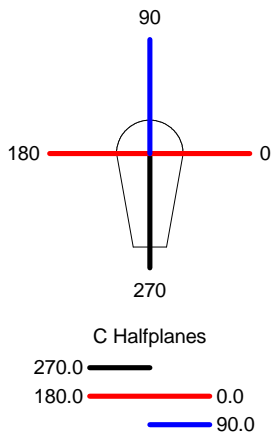
Code 00-5457-BW-F9  
 Name Colgante TALK 2 leds 13W

**Measur.**

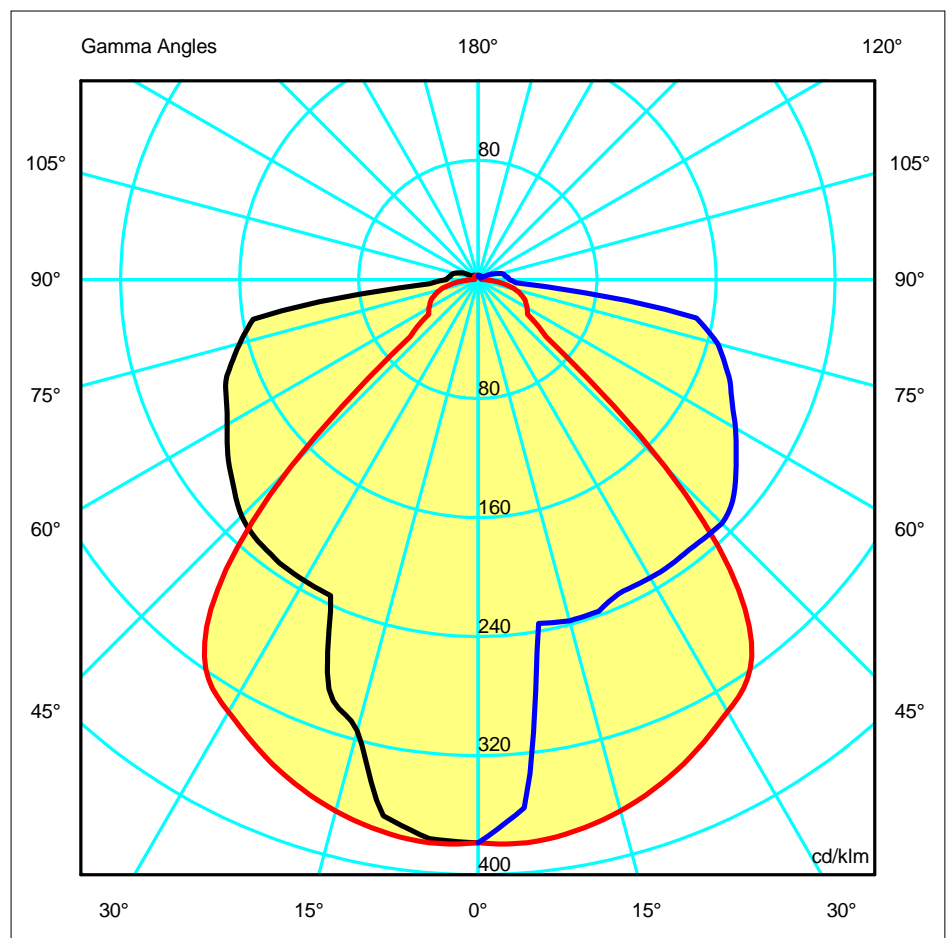
Code 00-5458-BW-F9  
 Name Colgante TALK 2 leds 13W

Luminaire Flux	1257.12 lm	Luminaire Power	14.00 W	Efficacy	89.79 lm/W	Efficiency	100.00%
Lamps Flux	1257.12 lm	Maximum value	379.80 cd/klm	Position	C=0.00 G=5.00	CG Sym. on planes 270-90	
Rectangular Luminaire Rectangular Luminous Area	Length Length	240 mm 240 mm	Width Width	130 mm 130 mm	Height Height	590 mm 300 mm	
Horizontal Luminous Area Emitting area on Plane 0° Emitting area on Plane 90°	0.031200 m2 0.072000 m2 0.039000 m2	Emitting area on Plane 180° Emitting area on Plane 270° Glare area at 76°		0.072000 m2 0.039000 m2 0.077409 m2			
Coordinate system Date Measurement Distance	CG Roads 07-06-2016 0.00		Symmetry Type Maximum Gamma Angle Measurement Flux		Sym. on planes 270-90 180 1257.12 lm		
Operator Temperature Humidity Notes	Assselum T2 25.00 °C 60.00 %		Source Voltage [V] Source current [A] Photocell				

Luminaire Lamps						
Line	Code	Name	Flux [lm]	Pow. [W]	Q.ty	
	00-5458-BW-F9	00-5458-BW-F9 - 14.00 W	1257.12	14.00	1	
C.I.E.	46 76 94 96 100	D DIN 5040	A31			



ULOR 3.75 %  
 DLOR 96.25 %  
 RN 3.75 %



**Luminaire**

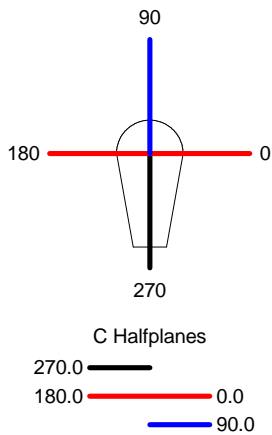
Code 00-5457-Z5-F9  
 Name Colgante TALK 2 leds 13W

**Measur.**

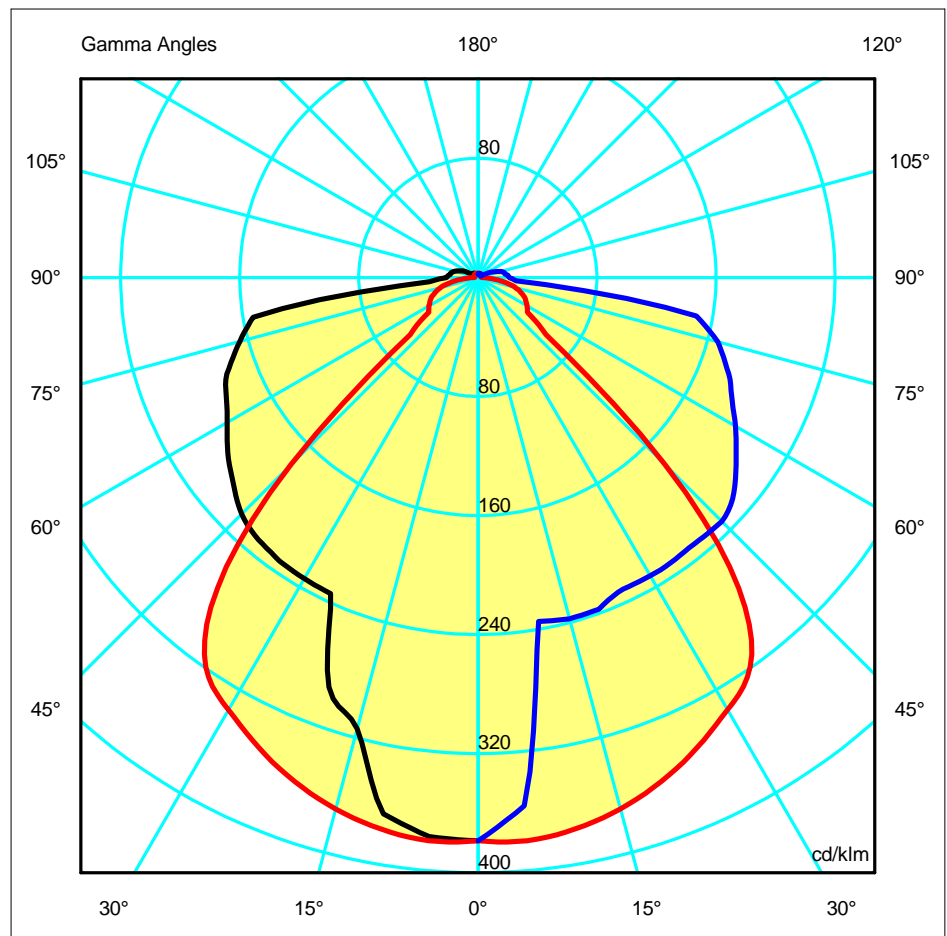
Code 00-5458-BW-F9  
 Name Colgante TALK 2 leds 13W

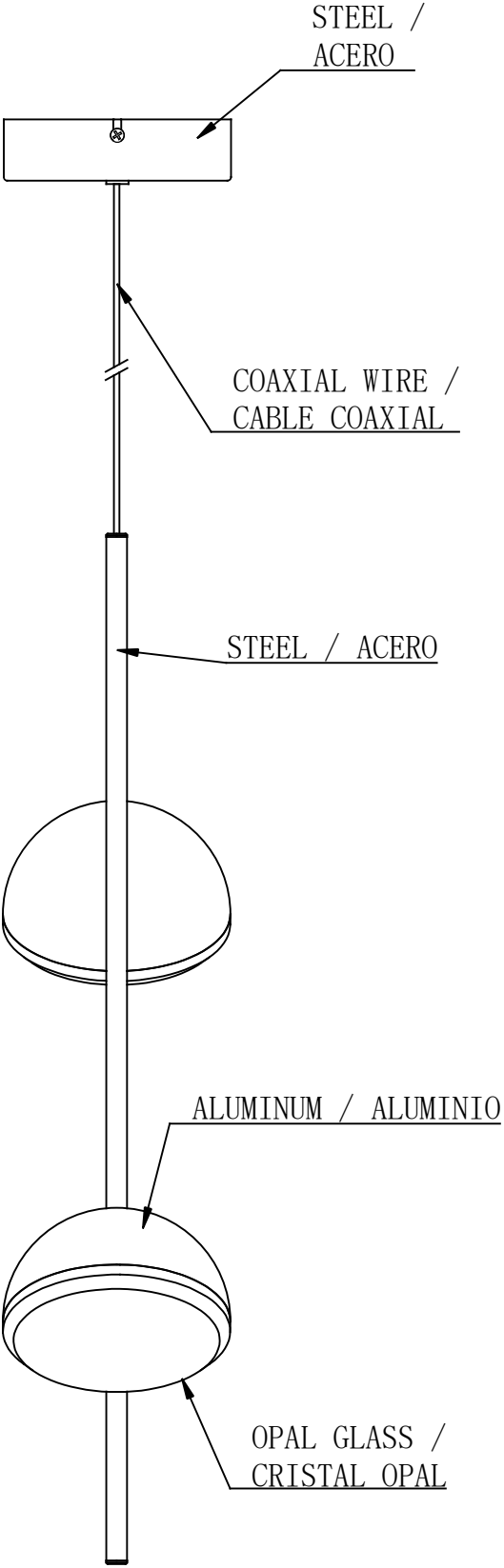
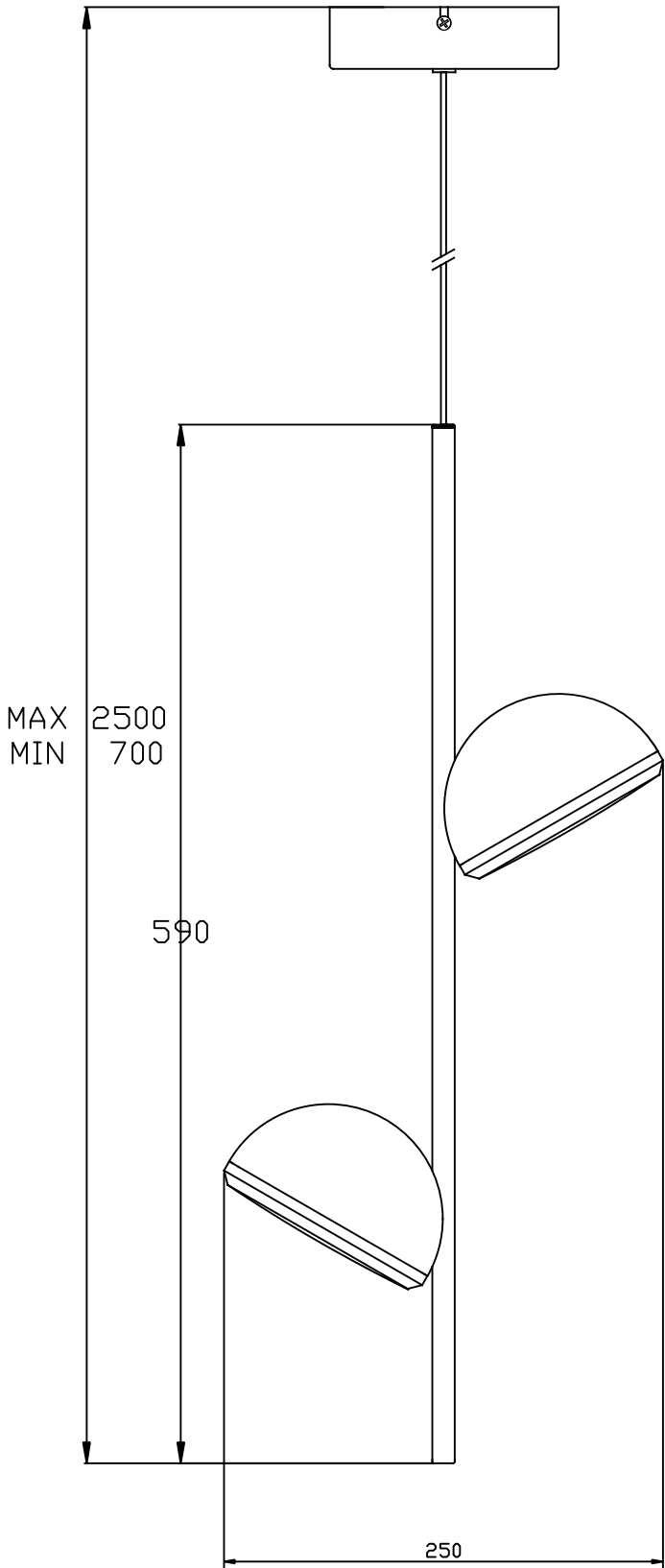
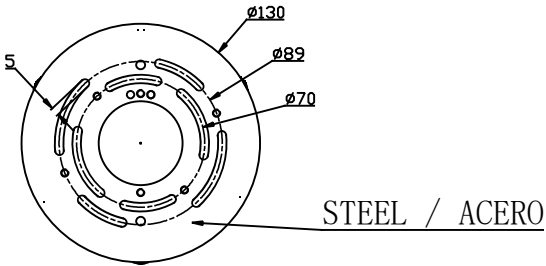
Luminaire Flux	1257.12 lm	Luminaire Power	14.00 W	Efficacy	89.79 lm/W	Efficiency	100.00%
Lamps Flux	1257.12 lm	Maximum value	379.80 cd/klm	Position	C=0.00 G=5.00	CG Sym. on planes 270-90	
Rectangular Luminaire Rectangular Luminous Area	Length Length	240 mm 240 mm	Width Width	130 mm 130 mm	Height Height	590 mm 300 mm	
Horizontal Luminous Area Emitting area on Plane 0° Emitting area on Plane 90°	0.031200 m2 0.072000 m2 0.039000 m2	Emitting area on Plane 180° Emitting area on Plane 270° Glare area at 76°		0.072000 m2 0.039000 m2 0.077409 m2			
Coordinate system Date Measurement Distance	CG Roads 07-06-2016 0.00		Symmetry Type Maximum Gamma Angle Measurement Flux		Sym. on planes 270-90 180 1257.12 lm		
Operator Temperature Humidity Notes	Assselum T2 25.00 °C 60.00 %		Source Voltage [V] Source current [A] Photocell				

Luminaire Lamps						
Line	Code	Name	Flux [lm]	Pow. [W]	Q.ty	
	00-5458-BW-F9	00-5458-BW-F9 - 14.00 W	1257.12	14.00	1	
C.I.E.	46 76 94 96 100	D DIN 5040	A31			

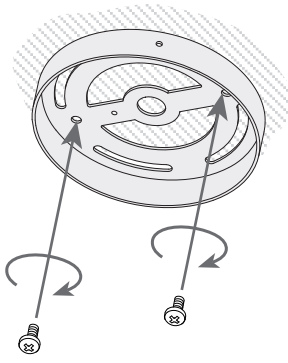


ULOR 3.75 %  
 DLOR 96.25 %  
 RN 3.75 %

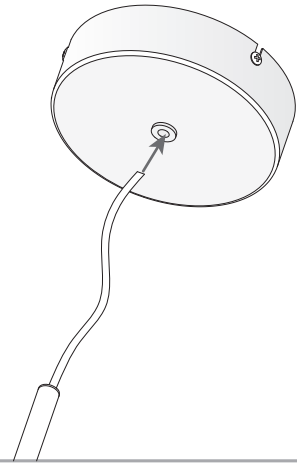




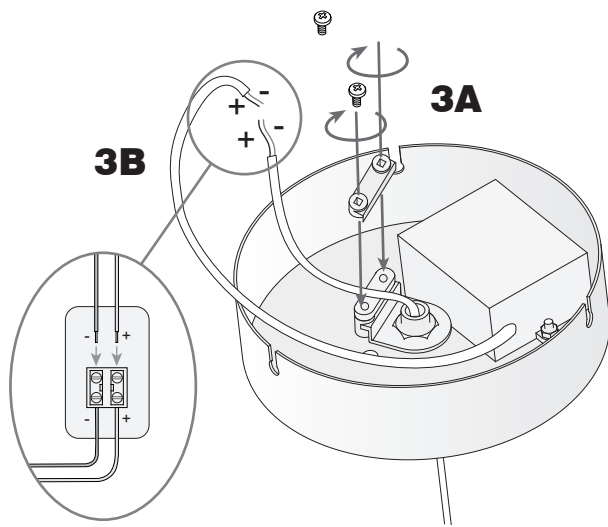
1



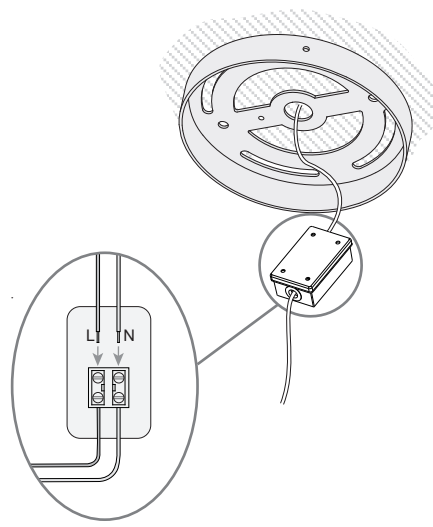
2



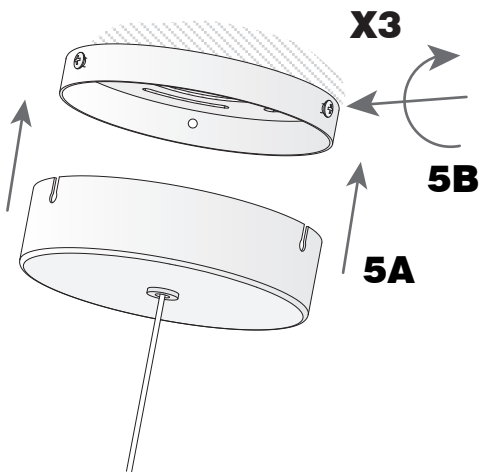
3



4



5



6

