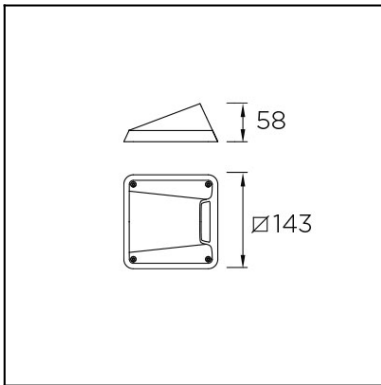
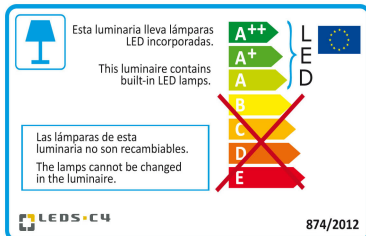


Design by Francesc Vilaró


The photograph may not match the reference exactly. Please read the product description to identify the finish.



Download photometric file .ldt / .ies



Click on image to download energy label

TECHNICAL CHARACTERISTICS

Type:	Beacon
Adjustable:	Adjustable from 0° to 15° on the horizontal axis.
IP Protection degrees:	IP67
IK Protection degrees:	IK06
Light source 1:	2 x LED Cree 2.1W Warm White - 3000K 188 lm ^(N) CRI 80
Total power consumption (W):	3.6W
Angle of the optics / Reflector:	45°
Voltage / Frequency:	100-240V/50-60Hz
Warranty (Years):	2
Option to extend the guarantee (Years):	5
Units per box:	12
Net Weight (Kg):	0.54
EAN:	8435381439187


MATERIALS / FINISHES

Structure material:	High purity aluminium	Diffuser material:	Methacrylate
Structure finish:	Urban grey	Diffuser finish:	Transparent

GEAR

Multi-voltage electronic gear included (100-240V / 50-60Hz)

Lm^(N): Nominal flow of light in actual working conditions. Its actual flow will depend on the environmental conditions and the efficiency of the optics and/or diffuser.

LEDS-C4 reserves the right to make the necessary technical changes they deem adequate, in order to improve the features of the product.

Please consult the sales team to clarify any doubt.

Luminaire

Code 55-9883-Z5-CL
Name Baliza REXEL 2 leds 2.1W

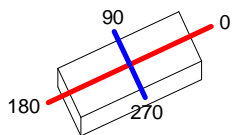
Measurerm.

Code 55-9883-Z5-CL
Name Baliza REXEL 2 leds 2.1W

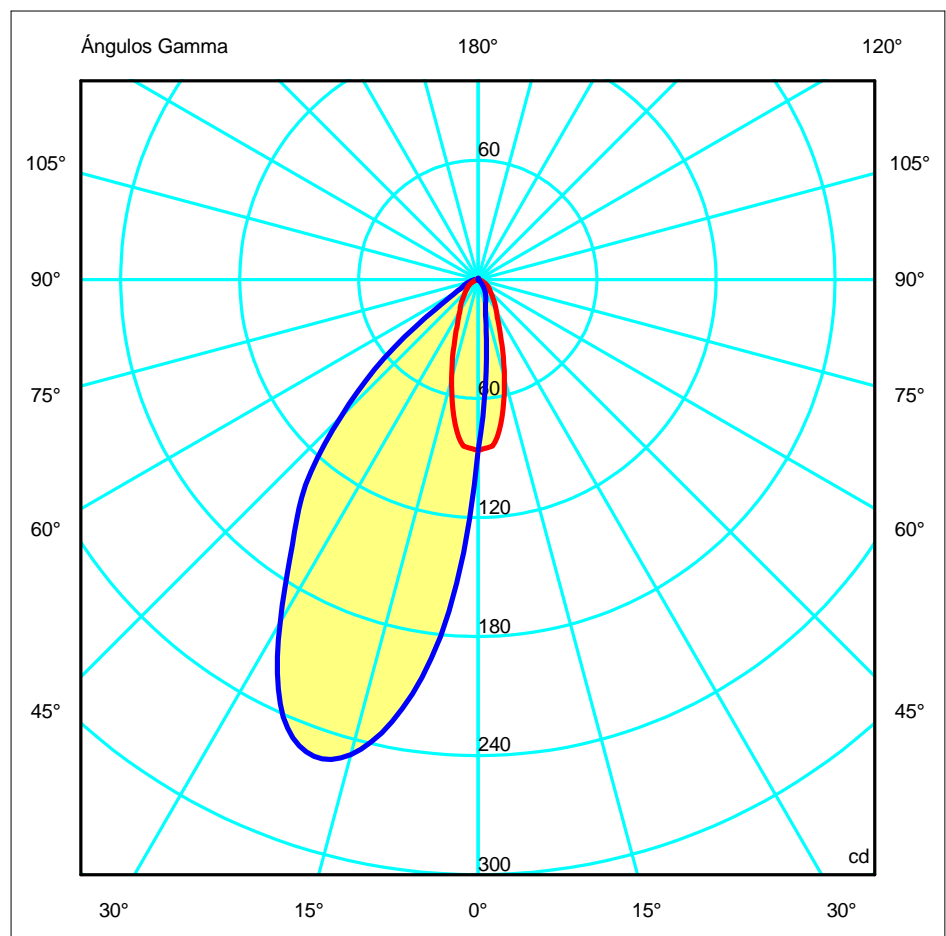
Luminaire Flux	139.11 lm	Luminaire Power	3.00 W	Efficacy	46.37 lm/W	Efficiency	100.00%
Lamps Flux	139.11 lm	Maximum value	253.33 cd	Position	C=270.00 G=20.00	CG Sym. on planes 270-90	
Rectangular Luminaire		Length	58 mm	Width	143 mm	Height	143 mm
Rectangular Luminous Area		Length	20 mm	Width	50 mm	Height	0 mm
Horizontal Luminous Area	0.001000 m2	Emitting area on Plane 180°	0.000000 m2	Emitting area on Plane 270°	0.000000 m2	Emitting area on Plane 90°	0.000242 m2
Coordinate system	CG	Date	04-10-2016	Symmetry Type	Maximum Gamma Angle	Measurement Flux	Sym. on planes 270-90
Measurement Distance	6.44						139.11 lm
Operator	Asselum T2	Source voltage	230.00 V				
Temperature	25.00 °C	Source current					
Humidity	59.00 %	Photocell	Prc				
Notes							

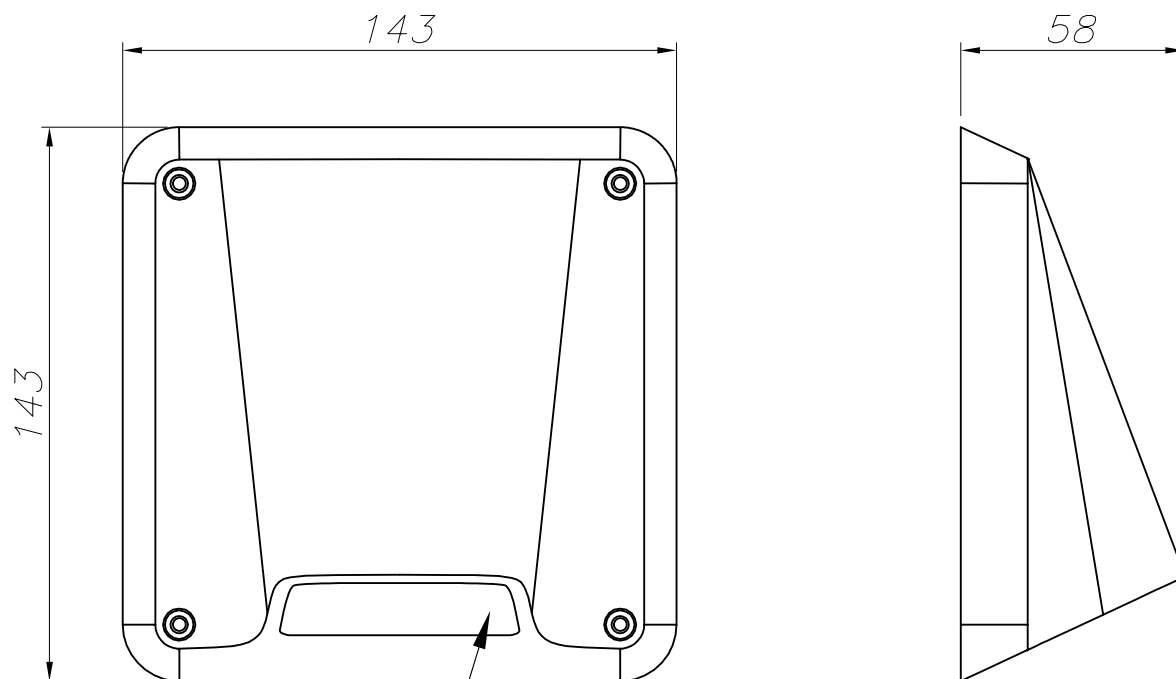
Line	Code	Luminaire Lamps	Flux [lm]	Pow. [W]	Q.ty
- LEDS C4 LEDS	55-9883-Z5-CL	Name Lámpara leds 2.1W	139.11	3.00	1
C.I.E.	76 95 99 98 100	D DIN 5040	A61		
F UTE	0.98 B + 0.02 T	B NBN	BZ 1 / 2.5 / BZ 2		

58mm x 143mm



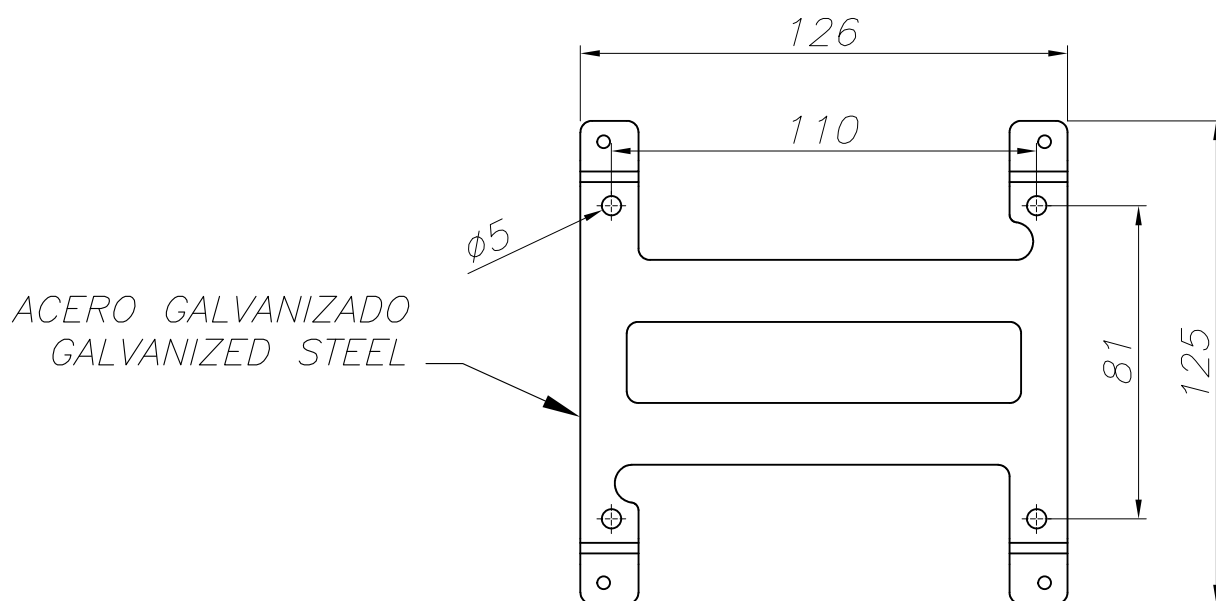
ULOR 1.52 %
DLOR 98.48 %
RN 1.52 %





PMMA TRANSPARENTE
TRANSPARENT PMMA

ALUMINIO INYECTADO
INJECTED ALUMINIUM



ACERO GALVANIZADO
GALVANIZED STEEL

PLANTILLA DE INSTALACIÓN
INSTALLATION TEMPLATE

